

# 10' Popup Tent

Our Popup Tent is great for outdoor fairs, exhibitions, sporting events and arenas, concerts, festivals and more. Strong, solid, stable, wind-resistant & durable. Graphics are long-lasting and can endure exposure to outdoor elements. Polyester canopies and sidewalls are water resistant and UV-resistant, providing the ultimate protection from the sun. Coverage area shades up to five people comfortably.



Canopy Stock Colors



\*Optional hard shell case available as an upgrade

We are continually improving and modifying our product range and reserve the right to vary the specifications without prior notice. All dimensions and weights quoted are approximate and we accept no responsibility for variance. E&OE. See Graphic Templates for graphic bleed specifications.

## features and benefits:

- Various Kits offered:
- Hardware Only Kit: frame, stakes, guy ropes & rolling carry bag
- Canopy Kit: canopy (standard color or custom printed), hardware frame, stakes, guy ropes & rolling carry bag
- Halfwall Kit: halfwall panel (standard or custom print), halfwall pole & two brackets
- Halfwall Hardware Only Kit: one halfwall bar and two halfwall mounting brackets
- Fullwall Panel or Halfwall Panel : in standard color or custom digital print; sold separately
- Opens to base size of 9.6'w x 9.6'h
- Folds compactly into portable, rolling carry bag
- Custom graphics offered for canopy, fullwall and halfwalls
- One year hardware warranty against manufacturer defects
- Six month graphics limited warranty
- Usage in adverse weather voids all warranties

## dimensions:

### Hardware

Assembled unit: (four sides)  
 Open dimensions: 115" w x 135.43" h (per side)  
 Closed dimensions: 9.4" w x 62" h (per side)  
 Leg Width: 40mm

Approx. frame weight:  
 34 lbs / 15.4 kgs

Approx. rolling carry bag weight:  
 3 lbs / 1.36 kgs

### Custom Graphic Specs

Refer to related graphic template for more information.



## additional information:

Custom digital print graphic material:  
 outdoor canvas

Standard color material:  
 420D polyester PU coating  
 Color options: white, black, blue, grey, red

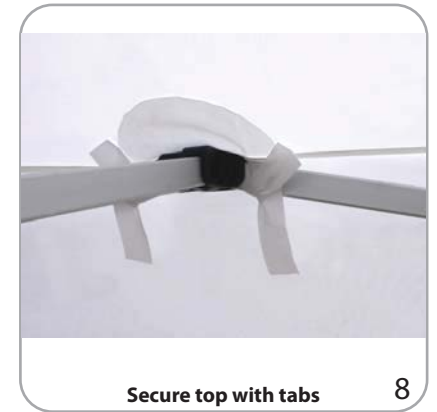
Pantone® provided is closest match

Optional set of 4, 22 lb. ea. steel weighted bases available; SKU#: OD-TENT-WEIGHT-K

Additional set of 4 pegs and 3.5 meter guy ropes available; SKU#: OD-TENT-STAKE

Canopy, fullwall and halfwall should be removed after use and packed separately from hardware to avoid damage to graphic.

# Set-up



## Fullwall Set-up



Apply fullwall to top Velcro strip inside canopy **1**



Secure to side poles with Velcro strips (x4 per pole) **2**



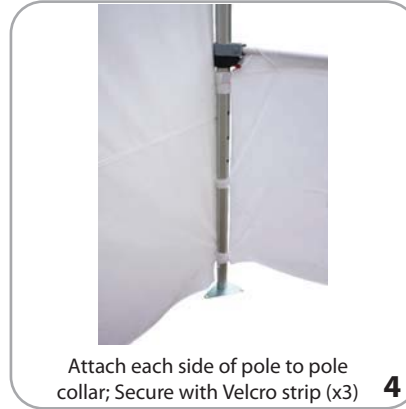
Fullwall application is complete **3**



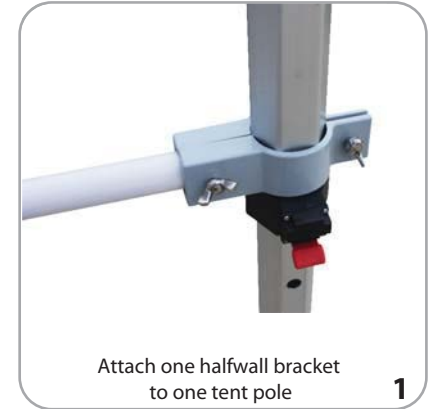
Apply halfwall panel on provided halfwall pole **2**



Attach second halfwall bracket to opposite tent pole **3**



Attach each side of pole to pole collar; Secure with Velcro strip (x3) **4**



Attach one halfwall bracket to one tent pole **1**



Halfwall application is complete **5**

90 day warranty



Optional set of four (22 lb ea.) steel weighted bases available  
\*Caution: do NOT pack inside rolling bag or case\*

90 day warranty



Additional set of 4 pegs and 3.5 meter guy ropes

 beautiful  
**DISPLAYS**

2010 Hancock Street  
San Diego, CA 92110  
800.697.4670  
[info@beautifuldisplays.com](mailto:info@beautifuldisplays.com)