

Embrace™ “L” and “U” Link SEG Fabric Displays

Embrace™ Fabric Backwalls can be connected together easily with a simple clamp system to create backwall displays. Embrace displays feature seamless, clean, crisp lines due to the push-fit fabric graphics that hug the collapsible frame. Embrace Kits include your choice of either single or double-sided graphics and also the choice of front or full fitted graphics with end caps.

features and benefits:

- Lighter weight anodized silver frame
- Choice of single or double-sided graphics with front or full fitted with endcaps
- Simple assembly
- Perimeter channel bars connect to frame and hold push-fit fabric graphics
- Additional stacking and linking options now available
- Lifetime hardware warranty against manufacturer defects
- Rolling carry bags included

dimensions:

Hardware:

Assembled Dimensions:

U01:

158" w x 89.4" h x 51.95" d
4013mm(w) x 2271mm(h) x 1320mm (d)

L01:

137.85" w x 89.4" h x 51.95" d
3501mm(w) x 2271mm(h) x 1320mm (d)

L02:

137.85" w x 89.4" h x 51.95" d
3501mm(w) x 2271mm(h) x 1320mm (d)

Graphics:

Refer to related graphic template for more information.

Additional Information:

- * Lights not included.
- * Do not attempt to connect frames lying on the floor. Frames must always be upright when assembling.

Shipping:

Hardware Only:

EMB-U01:

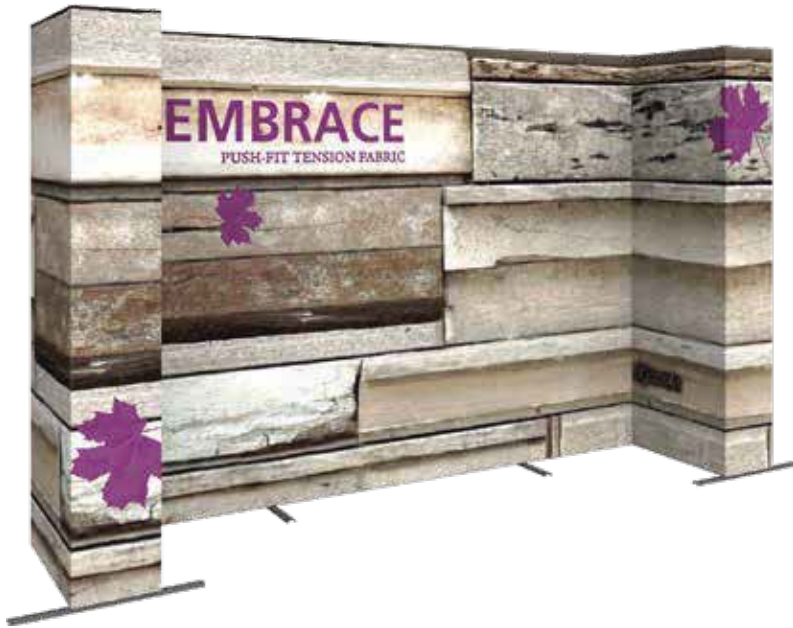
- Box 1: 38"l x 15"h x 9"d / 44lbs
965mm(l) x 381mm(h) x 229mm(d) / 20kg
- Box 2: 35"l x 15"h x 9"d / 30lbs
889mm(l) x 381mm(h) x 229mm(d) / 14kg
- Box 3: 35"l x 15"h x 9"d / 30lbs
889mm(l) x 381mm(h) x 229mm(d) / 14kg

EMB-L01:

- Box 1: 38"l x 15"h x 9"d / 43lbs
965mm(l) x 381mm(h) x 229mm(d) / 20kg
- Box 2: 35"l x 15"h x 9"d / 31lbs
889mm(l) x 381mm(h) x 229mm(d) / 14kg

EMB-L02:

- Box 1: 38"l x 15"h x 9"d / 43lbs
965mm(l) x 381mm(h) x 229mm(d) / 20kg
- Box 2: 35"l x 15"h x 9"d / 31lbs
889mm(l) x 381mm(h) x 229mm(d) / 14kg



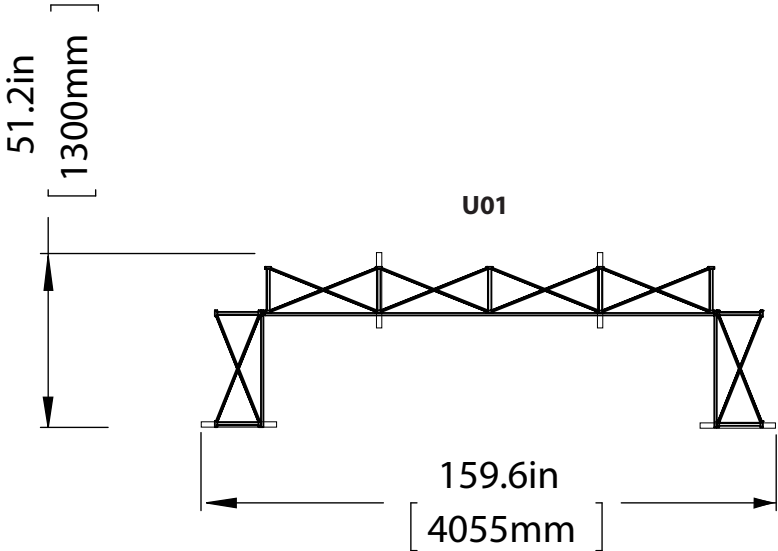
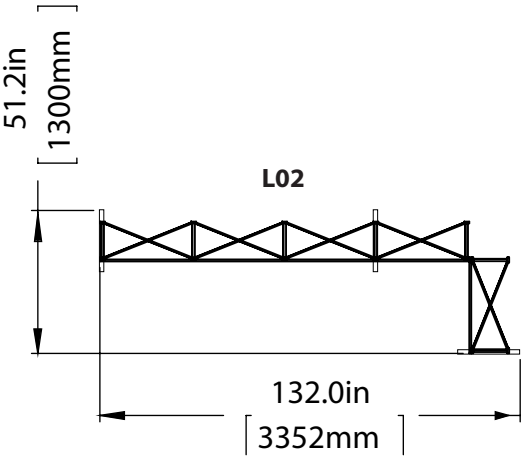
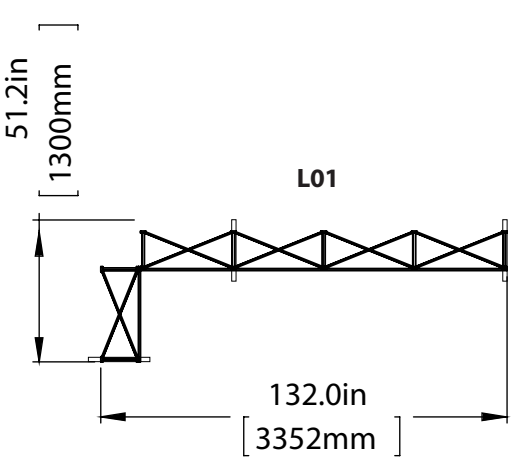
We are continually improving and modifying our product range and reserve the right to vary the specifications without prior notice. All dimensions and weights quoted are approximate and we accept no responsibility for variance. E&OE. See Graphic Templates for graphic bleed specifications.



2010 Hancock Street
San Diego, CA 92110
800.697.4670
info@beautifuldisplays.com

Embrace "L" & "U" Dimensions

Each kit fits in a 20ft booth space. All kits include necessary feet.



2010 Hancock Street
San Diego, CA 92110
800.697.4670
info@beautifuldisplays.com

Included in your Embrace kit:

L01

QTY

- 4 - Channel Bars (EMB-CB-1)
- 8 - Channel Bars (EMB-CB-3)
- 4 - Channel Bars (EMB-CB-4)
- 3 - Embrace Foot (EMB-FOOT)
- 2 - Corner Connector (EMB-LL-CONNECTOR)

L02

QTY

- 4 - Channel Bars (EMB-CB-1)
- 8 - Channel Bars (EMB-CB-3)
- 4 - Channel Bars (EMB-CB-4)
- 3 - Embrace Foot (EMB-FOOT)
- 2 - Corner Connector (EMB-LL-CONNECTOR)

U01

QTY

- 8 - Channel Bars (EMB-CB-1)
- 12 - Channel Bars (EMB-CB-3)
- 4 - Channel Bars (EMB-CB-4)
- 4 - Embrace Foot (EMB-FOOT)
- 4 - Corner Connector (EMB-LL-CONNECTOR)

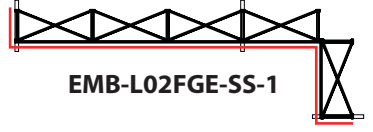
*** Quantity required shown. Assembled units may leave additional unused hardware.**



2010 Hancock Street
San Diego, CA 92110
800.697.4670
info@beautifuldisplays.com

Embrace Graphic Options

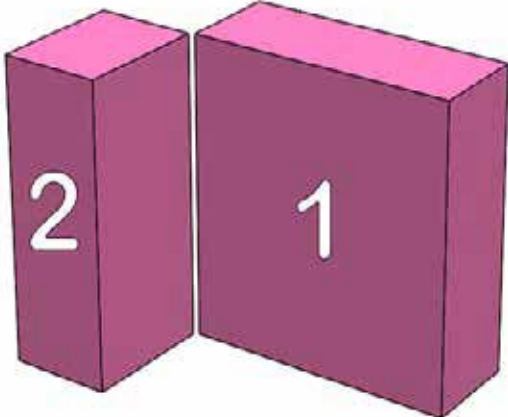
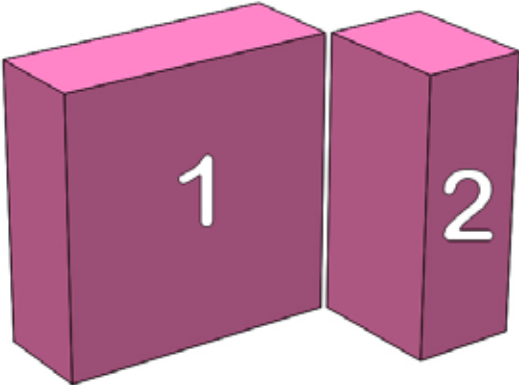
Embrace Frame Suffix Definitions				
Suffixes in Code	-SS	-DS	-FG	-FGE
Definition	Single Sided	Double Sided	Front Graphic	Graphic with Endcaps



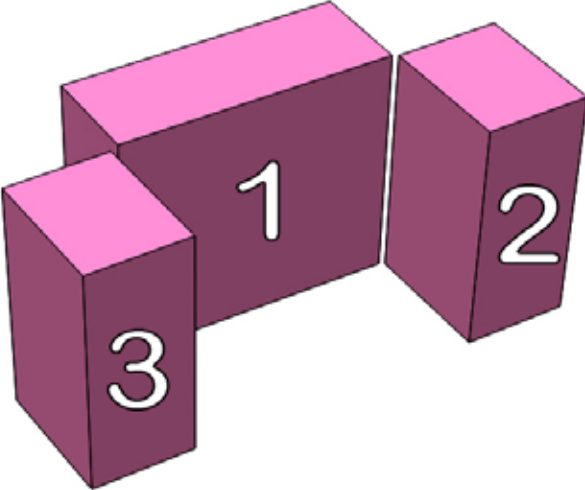
Embrace Build Sequence

For safety best practice, follow this sequence of assembly steps.

L Shape

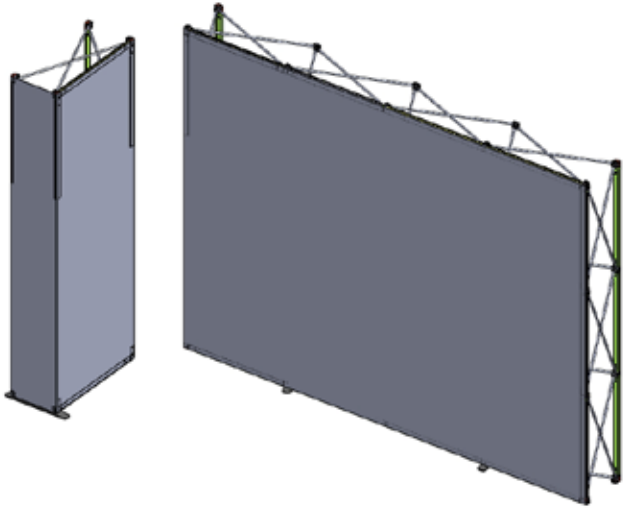


U Shape



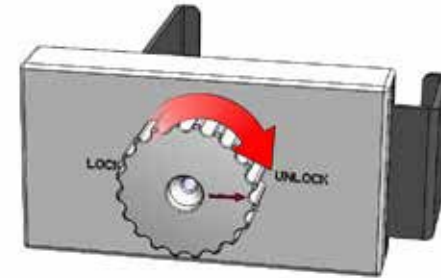
Embrace Assembly Instructions

1



For "L" and "U" assemblies, begin by pairing your units corner to corner. Spread the feet evenly beginning one quadrant from the left. Feet placement may vary based on assembly size and shape. View your kit specific rendering for more detail.

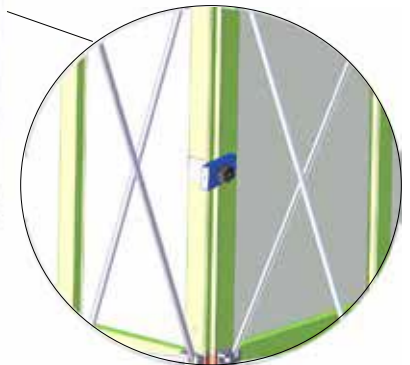
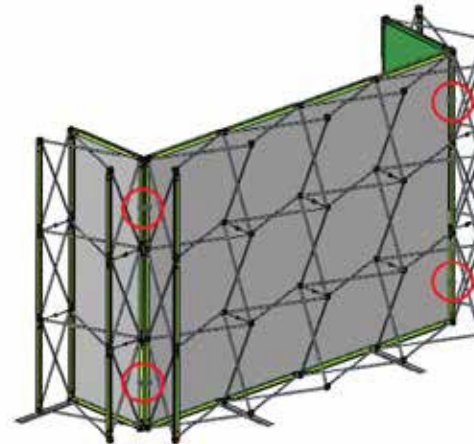
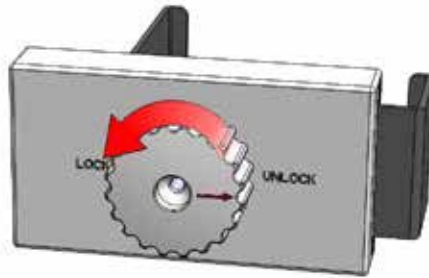
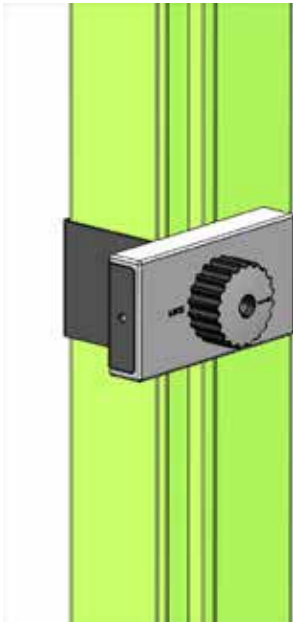
2



Corner

Prepare your joining connectors by setting them to the "Unlock" position as shown.

3



Corner Connectors are placed onto every other quadrant corner as shown in the figure right. Lock each connector by setting the knob to the "Lock" position as shown.