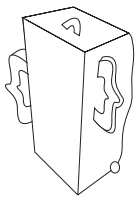


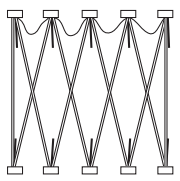
GRAPHIC ATTACHMENT

1



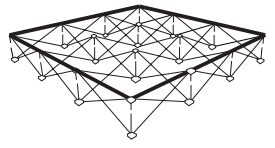
Remove unit from rolling bag.

2



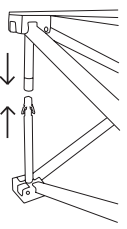
Stretch frame to size. Make sure webbing is not wrapped around purple locking arms.

3



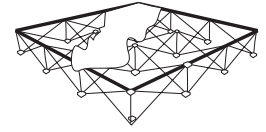
Align all purple locking arms.

4



Snap all purple locking arms into place.

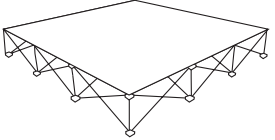
5



Graphic attaches to frame with Velcro. Start in one corner and move on to the next.

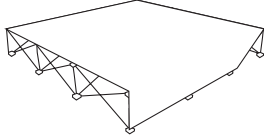
TO ATTACH END CAPS

6



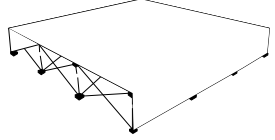
Graphic application is complete.

7




Pull end caps down to corner of frame and attach. Attach other corner.

8



Repeat on opposite side.

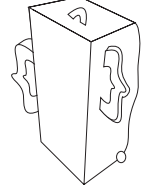
9



Lift frame into place. Unit is complete.

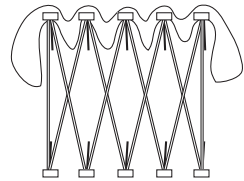
POPOP W/GRAPHIC ATTACHED SET UP

1



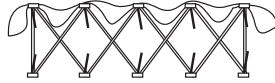
Remove unit from rolling bag.

2



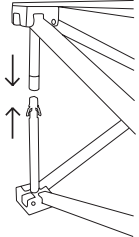
Stretch frame to size. Make sure webbing is not wrapped around purple locking arms.

3



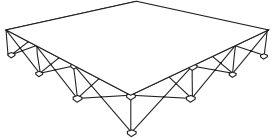
Pull frame outward and align purple locking arms.

4



Snap all purple locking arms into place.

5



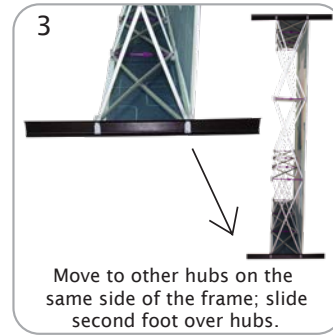
Unit is locked and graphic is attached.

6

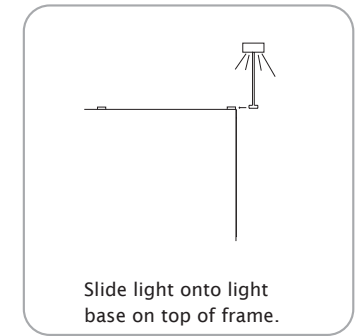


Lift frame into place.

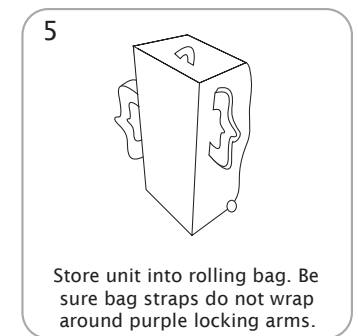
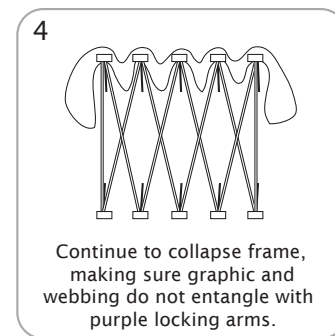
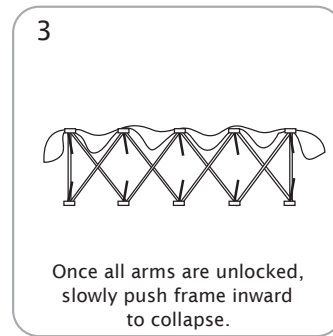
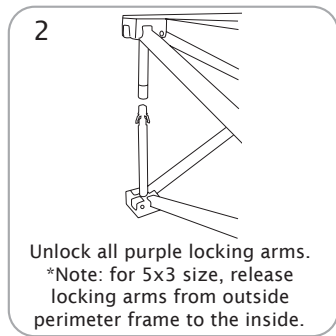
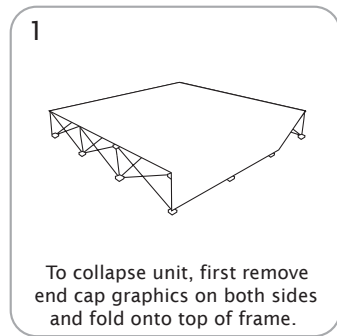
ATTACH STABILIZER FEET



TO ATTACH LIGHTS



TO COLLAPSE



to ensure quality, please note:



If the webbing is wrapped around the purple locking arm, the arm can snap off when opening the unit.



When setting up, ensure that the arms are aligned. If not, the arms will snap when pressure is applied.



When packing unit in the bag, ensure that the strap is not partially wrapped around an arm. If it is, the arm will snap when pulled out of the bag.



When placing in a non-roller bag, ensure that arms are not outside of the bag.



Do not use the purple locking arm to lift unit. ALWAYS lift by the frame.