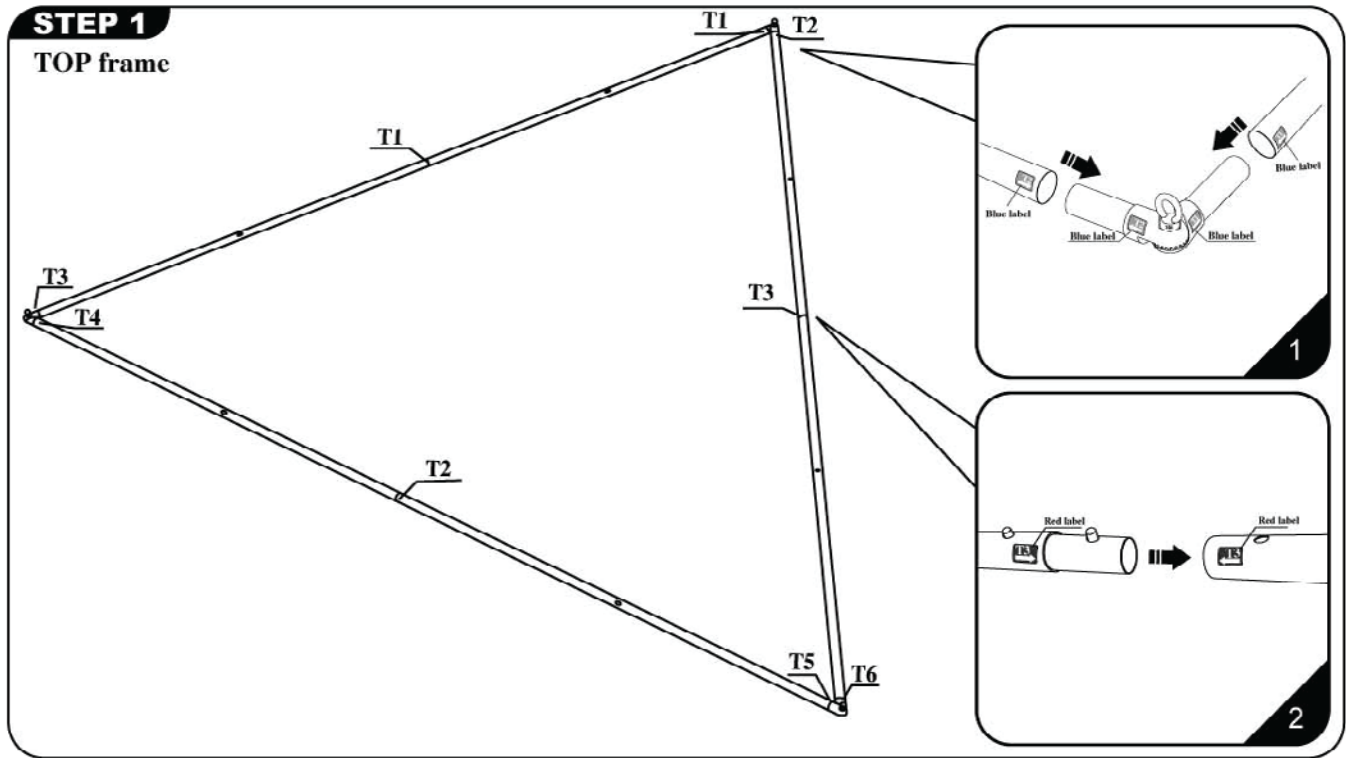


TAPERED TRIANGLE INSTALLATION STEPS

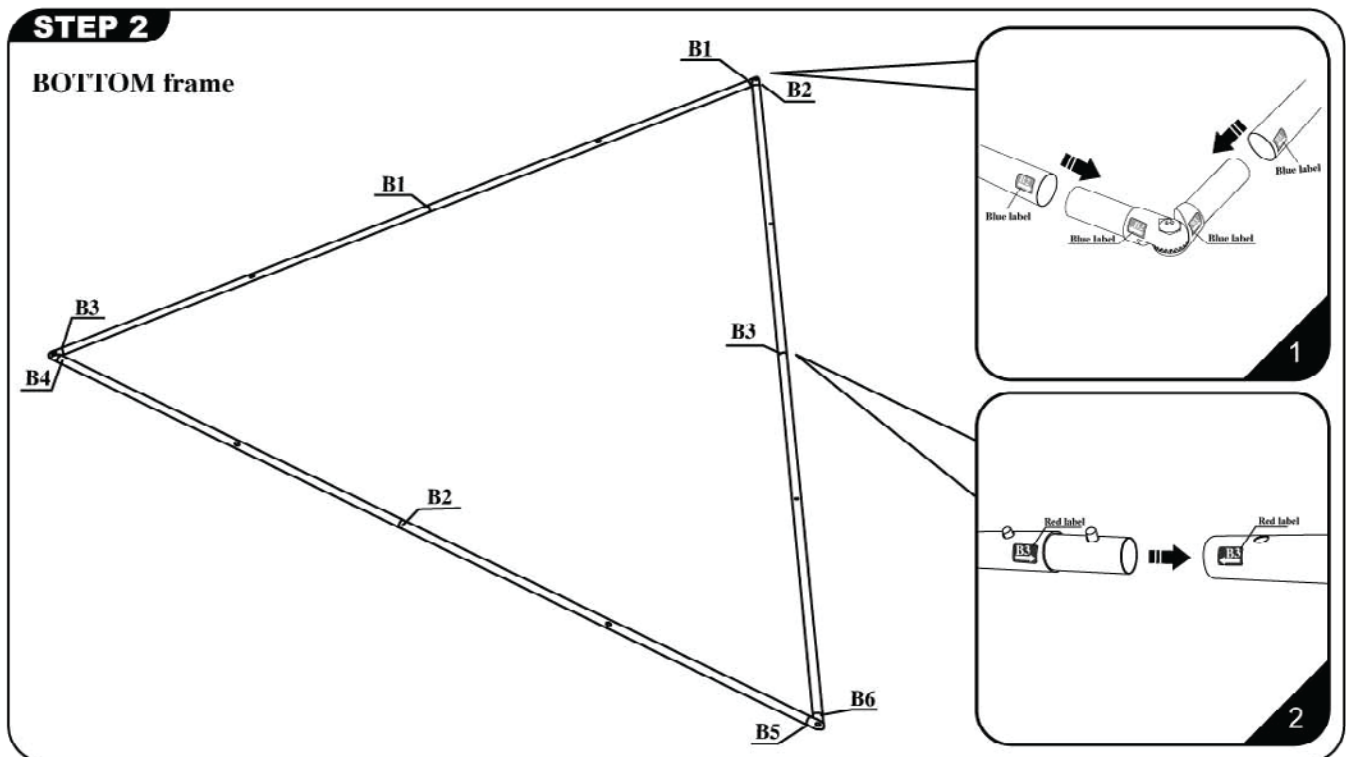
Modern appearance, high quality, practical, flexible for multiple uses Carry Cases and Spotlights are available as accessories Fast and easy to alter graphics

STEP 1
TOP frame



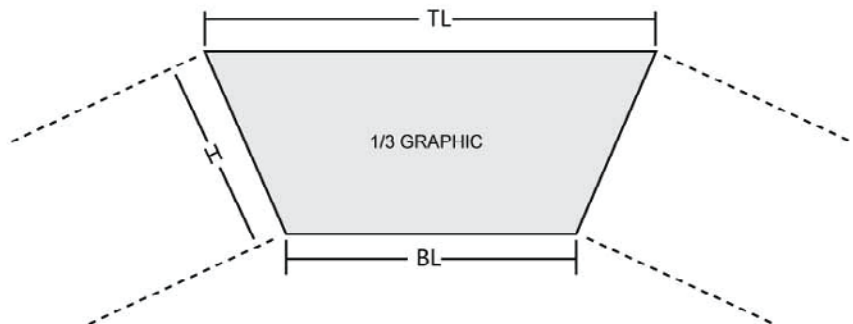
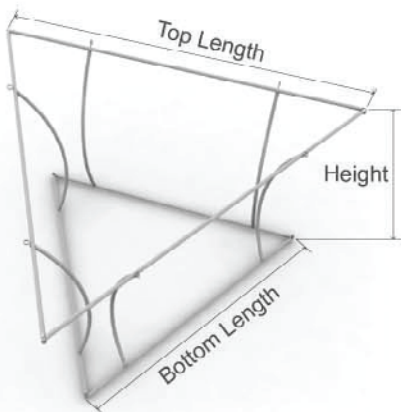
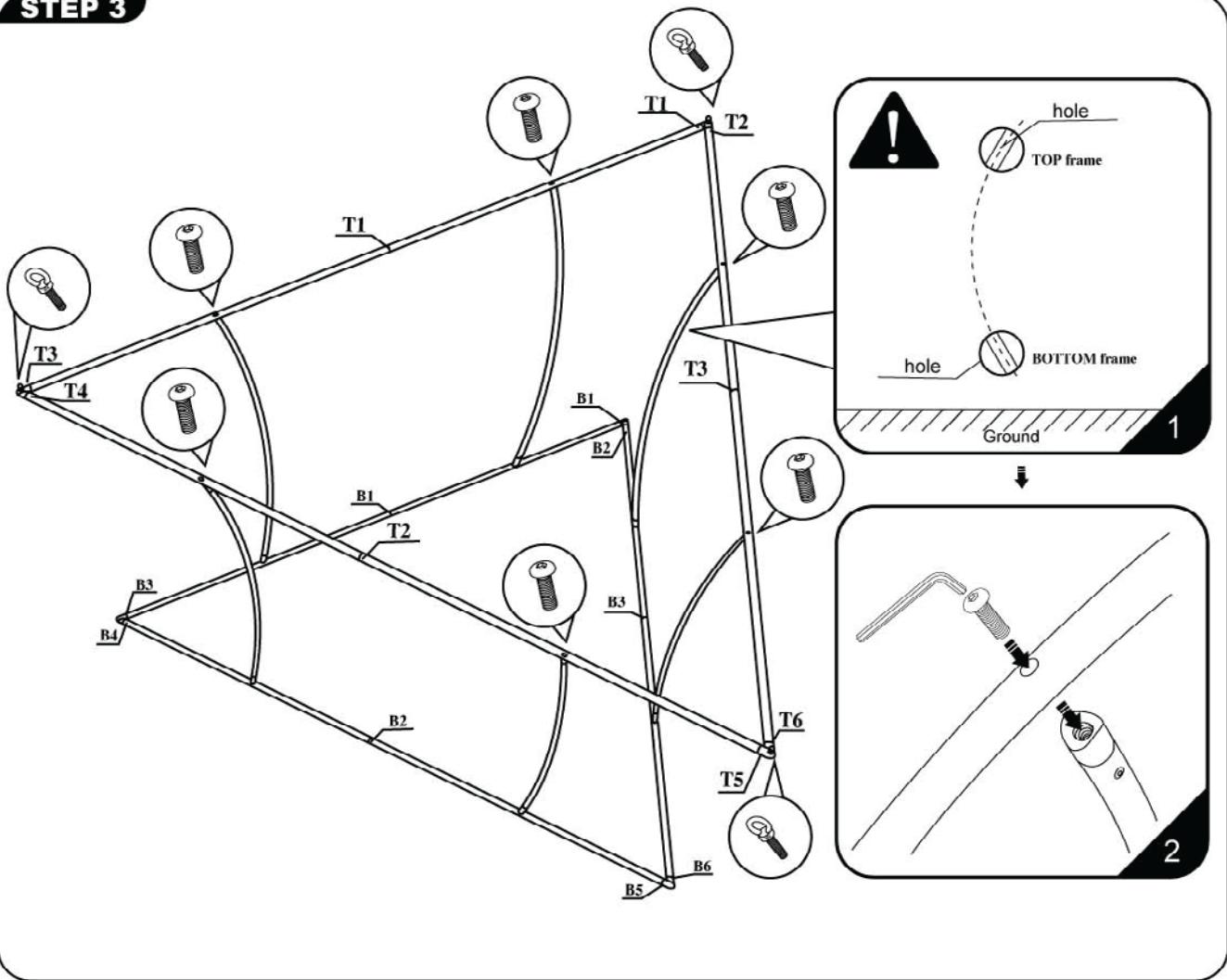
The diagram shows a tapered triangle frame with vertices labeled T1 through T6. Callout 1 shows a close-up of a joint where a blue label is attached to a tube. Callout 2 shows a close-up of a joint where a red label is attached to a tube.

STEP 2
BOTTOM frame



The diagram shows a tapered triangle frame with vertices labeled B1 through B6. Callout 1 shows a close-up of a joint where a blue label is attached to a tube. Callout 2 shows a close-up of a joint where a red label is attached to a tube.

STEP 3



Frame Size:
 10'(3048mm).TL / 8'(2438mm).BL x 4'(1219mm).H
 16'(4877mm).TL / 14'(4267mm).BL x 5'(1524mm).H

1/3 Graphic Size:
 3048mm.TL X 2438mm.BL X 1067mm.H
 4877mm.TL X 4267mm.BL X 1524mm.H



CAUTION:
 PLEASE READ THE INSTRUCTIONS BEFORE INSTALLING PRODUCT