

TRIANGLE INSTALLATION STEPS



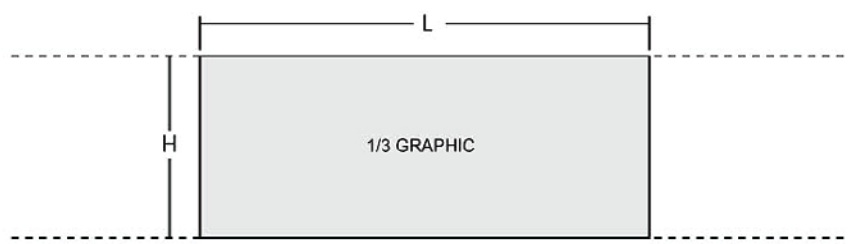
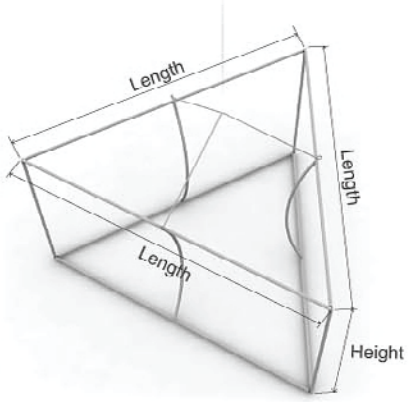
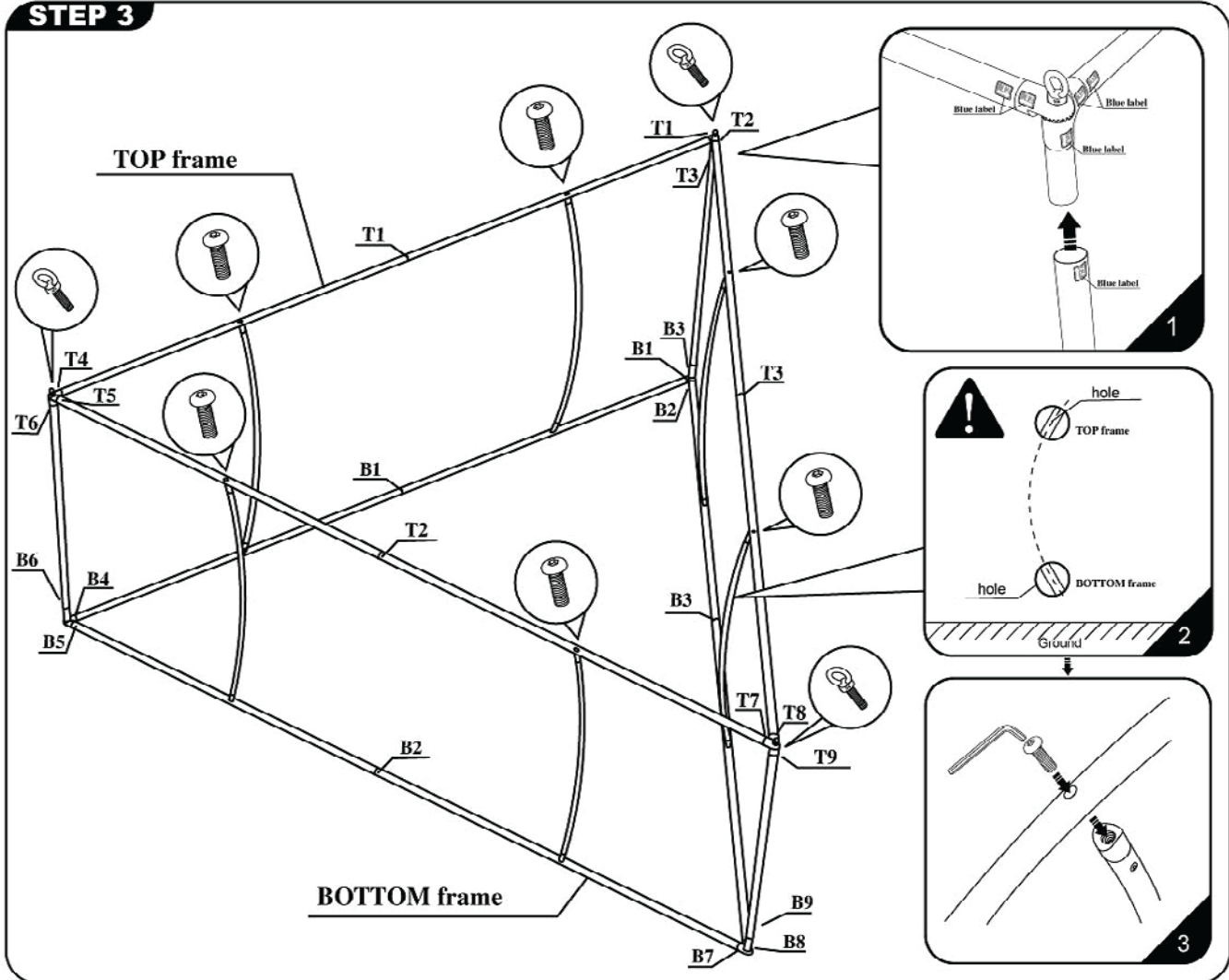
Modern appearance, high quality, practical, flexible for multiple uses Carry Cases and Spotlights are available as accessories Fast and easy to alter graphics

STEP 1 TOP frame

The diagram shows a triangular top frame with vertices labeled T4, T5, and T6 on the left, and T7, T8, and T9 on the right. The top edge is labeled T1, the right edge is T2, and the bottom edge is T3. Two inset detail views are provided: inset 1 shows a close-up of a joint where three tubes meet, with blue labels indicating the connection points; inset 2 shows a close-up of a tube with a red label being inserted into a joint.

STEP 2 BOTTOM frame

The diagram shows a triangular bottom frame with vertices labeled B4, B5, and B6 on the left, and B7, B8, and B9 on the right. The top edge is labeled B1, the right edge is B2, and the bottom edge is B3. Two inset detail views are provided: inset 1 shows a close-up of a joint where three tubes meet, with blue labels indicating the connection points; inset 2 shows a close-up of a tube with a red label being inserted into a joint.



Frame Size: 10'(3048mm).L x 3.5'(1067mm).H
 14'(4267mm).L x 3.5'(1067mm).H
 20'(6096mm).L x 4'(1219mm).H

1/3 Graphic Size: 3048mm.L X 1067mm.H
 4267mm.L X 1067mm.H
 6096mm.L X 1219mm.H

CAUTION:
 PLEASE READ THE INSTRUCTIONS BEFORE INSTALLING PRODUCT