

Snap-Tube Essential™ Banner - Curved 1200

Snap-Tube Essential™ banner displays feature basic tubular frames coupled with pillowcase fabric graphics. The economy tube frames come with a one year limited warranty. Simply pull the graphic over the frame.



features and benefits:

- Curved aluminum tube frame
- Easy to store and ship
- Quick to setup
- Pillowcase fabric graphic
- Carry bag included
- Bungee cords for easy assembly
- One year limited hardware warranty against manufacture defects

dimensions:

Hardware

Assembled unit:
48.6" w x 92.25" h x 15.75" d
1234mm(w) x 2343mm(h) x 400mm(d)

Approximate weight:
10 lb / 5 kg

Graphic

Refer to related graphic template for more information.

Shipping

1 Carry bag:

Shipping dimensions:
37" l x 8" h x 6" d
940mm(l) x 203mm(h) x 152mm(d)

Approximate weight:
11 lb / 5 kg

additional information:

Graphic material:
Dye-sublimation pull over pillowcase fabric

We are continually improving and modifying our product range and reserve the right to vary the specifications without prior notice. All dimensions and weights quoted are approximate and we accept no responsibility for variance. E&OE. See Graphic Templates for graphic bleed specifications.



2010 Hancock Street
San Diego, CA 92110
800.697.4670
info@beautifuldisplays.com

Included In Your Kit

Tools, Components, Tubes & Connectors



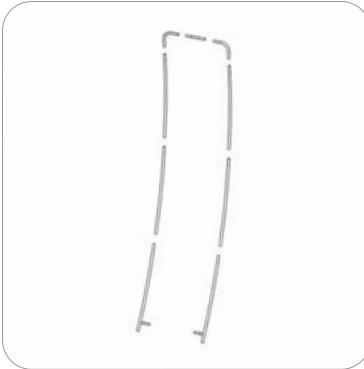
ALLEN KEY x1



STABILIZING BASE SCREW x2



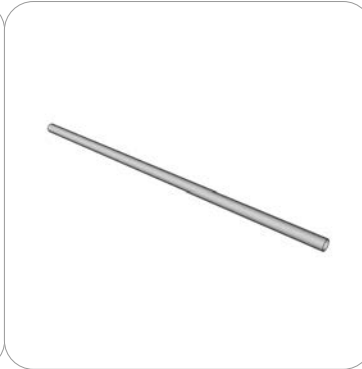
STABILIZING BASE PLATE x2



BUNGEE TUBE ASSEMBLY x1



SPREADER-1200 x1



SPREADER-1200-A x1

Graphics



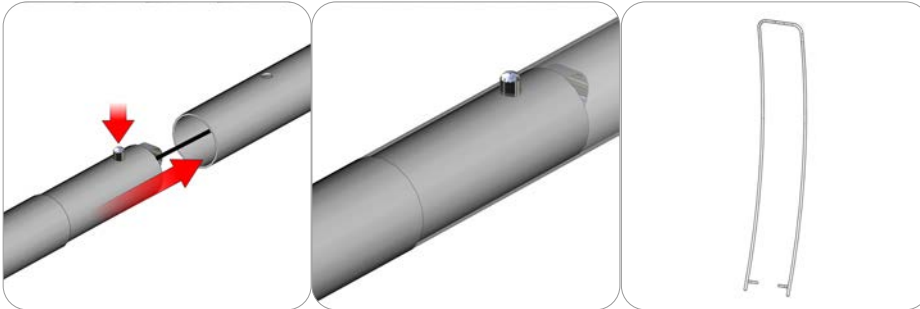
ST-ESS-C-1200-G x1



2010 Hancock Street
San Diego, CA 92110
800.697.4670
info@beautifuldisplays.com

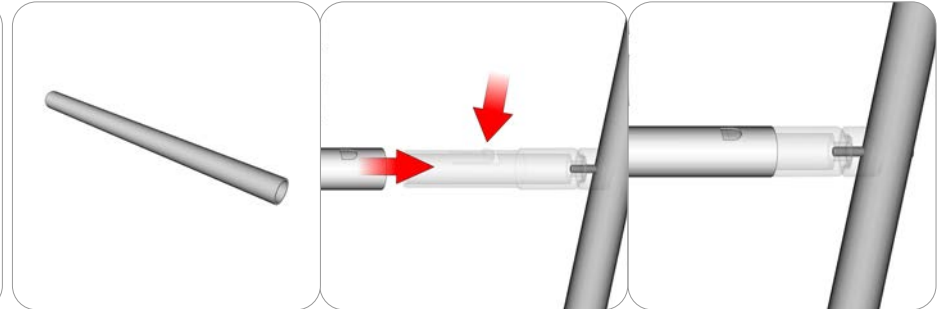
Connection Methods

Connection Method 1: Bungee Tube Assembly



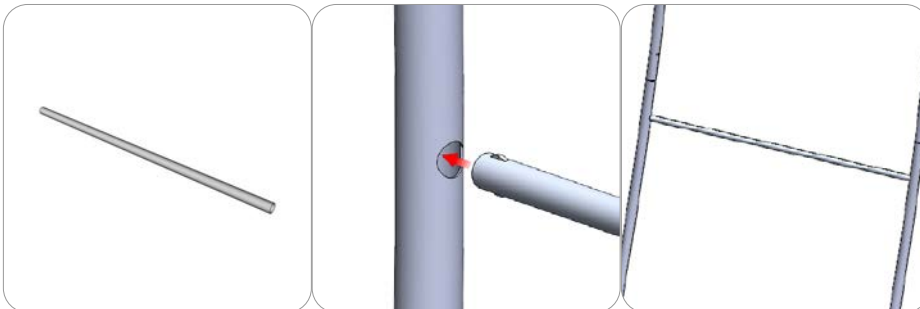
Attaching the tube swage design end and snap button is easy - simply press the snap button in and slide it into the next tube. With the tube on, make sure the snap button comes out all the way through the tube hole. These tubes have a bungee cord keeping assembly time to a minimum.

Connection Method 2: Spreader Tube Bottom



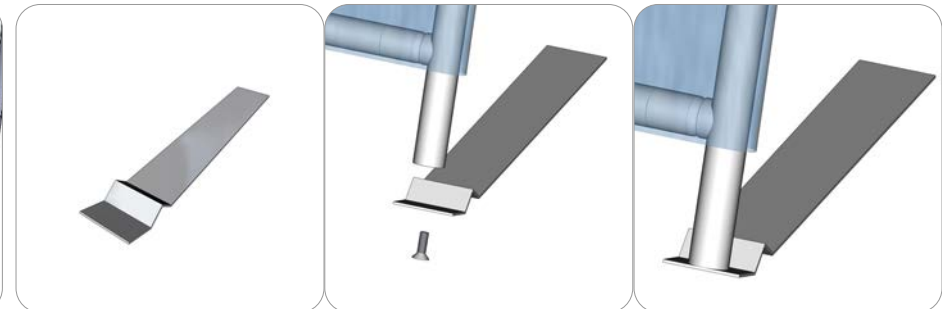
Attaching the 1-way spreader connector into the tubes is easy - simply press the prong in and slide into the tube. With the tube on, make sure the prong comes out all the way through the tube hole. You may have to twist the plastic connector to help align the prong with the tube hole.

Connection Method 3: Spreader Tube A Center



Locate the spreader with rounded clips on each end. Simply push each end of the spreader in any orientation into the holes of the center tubes in your bungee assembly. There is no need to suppress the clips by hand.

Connection Method 4: Stabilizing Base



Using the provided allen key and set screw, fasten the plate onto the end of the tube. Do not over tighten.

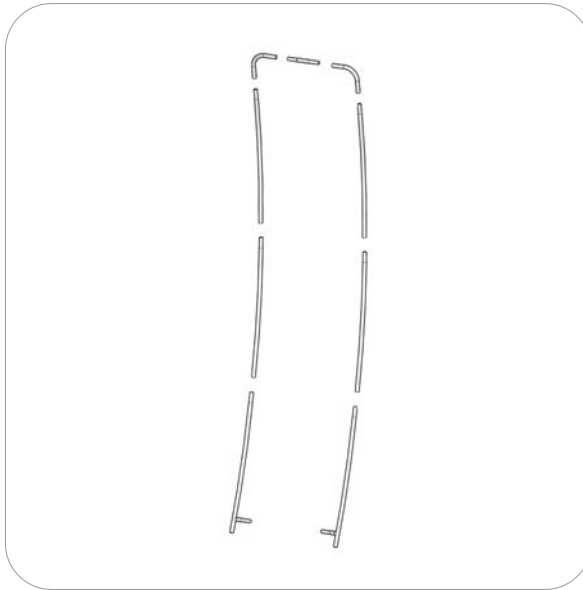
Kit Assembly

Step by Step

Step 1.

Assemble the bungee cord tube frame. Use the Exploded View diagram for part labels.

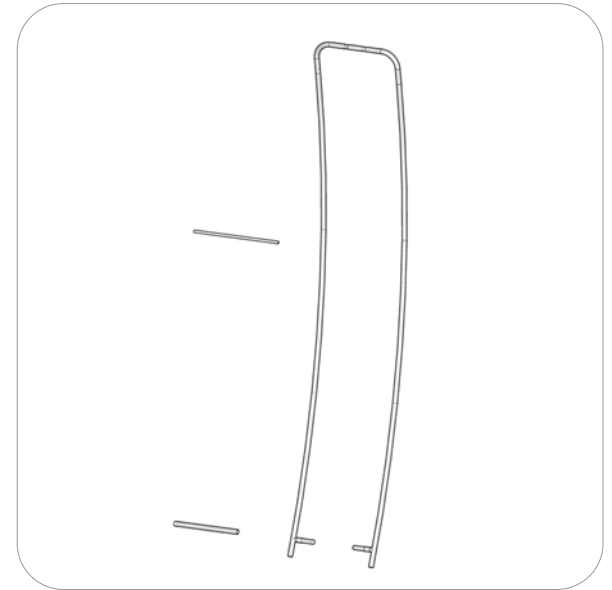
Reference connection method(s) 1 for more details.



Step 2.

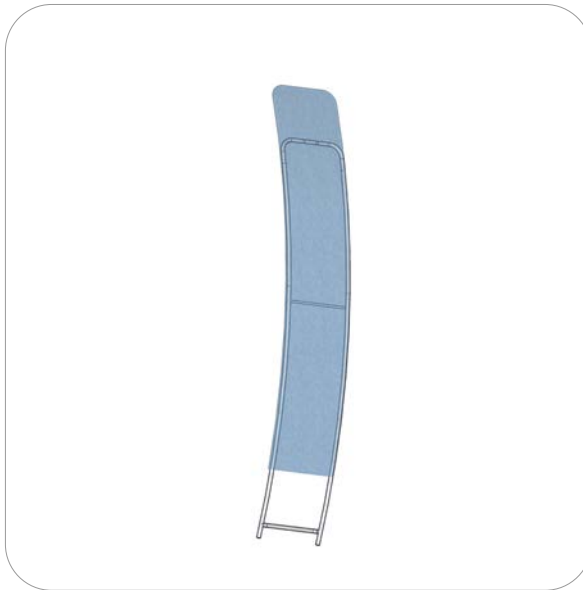
Connect the spreader tubes. Use the Exploded View diagram for part labels.

Reference connection method(s) 2 and 3 for more details.



Step 3.

Apply the pillowcase graphic over the frame.



Step 4.

Attach the stabilizing bases.

Reference connection method(s) 4 for more details.

Setup is complete.



Exploded View

ST-ESS-C-1200

